

1D Laser Bluetooth Barcode Scanner

GS M100BT series is a new generation of portable laser barcode scanner. It provides intuitive scanning of the barcodes found in real-world environments – even poor quality and damaged barcodes.

M100BT-Pro version lengthens the wireless transmission distance to widen scanning scope. M100BT-HP equipped with high performance laser engine improved its scanning ability.

It enables real-time barcode scanning into your smartphone via Bluetooth such like iPhone, iPad and all kinds of Android devices.

With built-in high volume rechargeable battery, GS M100BT could work for a whole shift. You can change it into handheld or hands-free shape by choosing optional accessories to meet different working requirements.

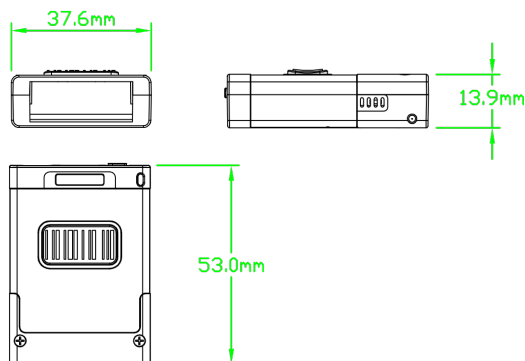
It is an ideal solution for retail, warehouse, asset traceability, express logistics applications. We also provide free iCloudscan App for you to synchronize and share your barcode data freely.

Feature

- ◇ Strong decode capability even the poorly printed barcode.
- ◇ Support pairing in both Bluetooth HID and SPP mode, support hide and display keyboard with iOS system
- ◇ Long battery life, keep working for 12 hours with 10 second interval trigger
- ◇ Build-in memory and large off-line storage up to 10000 barcodes

Specification

Model NO	M100BT	M100BT-HP	M100BT-Pro				
Dimensions:	L53.0mm×W37.6mm×H13.9mm						
Weight:	32g						
Input Voltage:	DC5 V±0.15 V						
Battery:	500mAh						
Scan Current:	100mA	111mA	103mA				
Low Power Current:	<3mA						
Shock:	1500G	2000G					
Sensor Type:	Laser diode						
Illumination:	Laser 650 nm						
Scan Angle:	Skew±50°, Pitch±65°, Roll±35°		Skew±40°, Pitch±65°, Roll±35°				
Optical Resolution:	4mil		5mil				
Scan Speed:	100±10 scan/second	104±12 scan/second					
Scan Angle:	53° ±3°		47° ±3°				
Field of View:	Horizontal: 53° ±3°, Vertical: 0.4°		Horizontal: 47° ±3°, Vertical: 0.4°				
Ambient Light:	100,000Lux	86,111Lux	107,640Lux				
Operating Temp:	-10° to 60° C	-20° to 60° C	-30° to 60° C				
Storage Temp:	-40° to 70° C						
Humidity:	5% to 90% non-condensing	5% to 95% non-condensing					
Minimum Print Contrast:	20% MRD measured at 630nm	25% MRD measured at 650nm					
Interface:	USB 2.0, Bluetooth 4.0						
Warranty:	Scanner:1 year, Battery: 6months						
Symbologies:	UPC-A, UPC-E, EAN-13, EAN-8, ISBN/ISSN, Code 39, Code 39 full ASCII, Code 32, Trioptic Code 39, Interleaved 2 of 5, Industrial 2 of 5, Matrix 2 of 5, Codabar (NW7), Code 128, Code 93, Code 11(USD-8), MSI/Plessey, UK/Plessey, UCC/EAN 128, China Post, GS1 DataBar (formerly RSS) variants						
Certification:	CE, RoHS						
Accessory:	USB Cable, Handhold adpater, GS D100BT USB Bluetooth Dongle, strap						
Depth of Field							
Bar Code Type Specification	Bar Code Content	Near	Far	Near	Far	Near	Far
4.0 mil Code 39; 2:5:1	ABCDEFGH 80% MRD	42 mm 1.7 in	75 mm 3.0 in				
5.0 mil Code 128; 2:5:1	ABCDEFGH 80% MRD	40 mm 1.6 in	105 mm 4.2 in	31.8 mm 1.25 in	203.2 mm 8.0 in	68.6 mm 2.7 in	218.4 mm 8.6 in
7.5 mil Code 39; 2:5:1	ABCDEF 80% MRD	20 mm 0.8 in	220 mm 8.8 in	38.1 mm 1.50 in	330.2 mm 13.0 in	66.0 mm 2.6 in	426.7 mm 16.6 in
10 mil Code 128; 2:5:1	1234 80% MRD	10 mm 0.4 in	250 mm 10.0 in	38.1 mm 1.50 in	457.2 mm 18.0 in	Note 3	403.9 mm 15.9 in
13 mil 100% CPU	12345678905 80% MRD	0 mm 0 in	310 mm 12.4 in	38.1 mm 1.50 in	609.6 mm 24.0 in	58.4 mm 2.3 in	603.3 mm 23.75 in
15 mil Code 128; 2:5:1	ABCD 80% MRD	23 mm 0.9 in	380 mm 15.2 in	38.1 mm 1.50 in	711.2 mm 28.0 in	Note 3	635.0 mm 25.0 in
20 mil Code 39; 2:2:1	123 80% MRD	35 mm 1.4 in	490 mm 19.6 in	44.5 mm 1.75 in	838.2 mm 33.0 in	Note 3	1092.2 mm 43.0 in
40 mil Code 39; 2:2:1	AB 80% MRD	50 mm 2.0 in	820 mm 32.8 in	Note 3	914.4 mm 36.0 in		
55 mil Code 39; 2:2:1	CD 80% MRD	75 mm 3.0 in	990 mm 39.6 in	Note 3	1143.0 mm 45.0 in	Note 3	1943.1 mm 76.5 in
100 mil Code 39; 3:0:1	123456 80% MRD					Note 3	4572.0 mm 15 ft
Notes:	<ol style="list-style-type: none"> 1. Contrast measured as Mean Reflective Difference (MRD) at 650 nm. 2. Working range specifications at ambient temperature (23°C), photographic quality symbols. Pitch=10°, Roll=0°, Skew=0°, ambient light < 150 ft-candles using Symbol or equivalent decoder. 3. Dependent on width of bar code. 4. Distances measured from front edge of chassis. 						



GENERALSCAN

Generalscan Electronics Co.; Ltd

Add: Room A608, 6 Floor, Building 3, Yadi
Science Park, Hetai Road, Baiyun District,
Guangzhou, China.510425

Tel: +86-20-28630420

Fax: +86-20-62351535

Email: sales@generalscan.com

Web: www.generalscan.com